



dreampix



dreampix **STRIP IP**
P10-Q100

dreampix **DRIVER IP**
1800



IP65 RGB PIXEL STRIP SYSTEM

Outdoor-rated networkable
pixel mappable lighting system
designed for professional
touring and production



SHOWPRO

DREAMPIX IP

Outdoor-rated LED strip system, featuring:

20 x DREAMPIX STRIP IP

One-meter pixel map and video effects display strip

- 100 SMD 5050 RGB LEDs (100 x 1 matrix)
- IP65 ingress protection rating
- Three lenses:
 - Black matte flat diffusion panel
 - Rectangular block diffusion lens
 - Rounded dome diffusion tube
- Optimized for pixel map and video effects
- Endless possibilities for creative arrangements
- High refresh rate for flicker-free video
- Art-Net control via DREAMPIX DRIVER 1800 IP



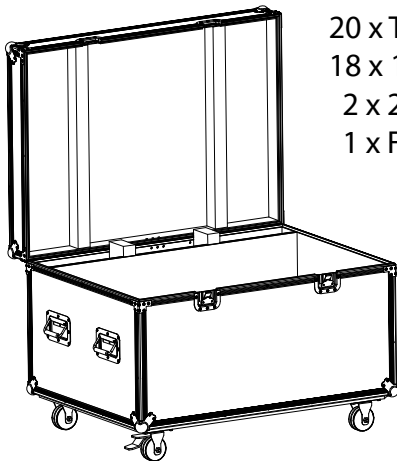
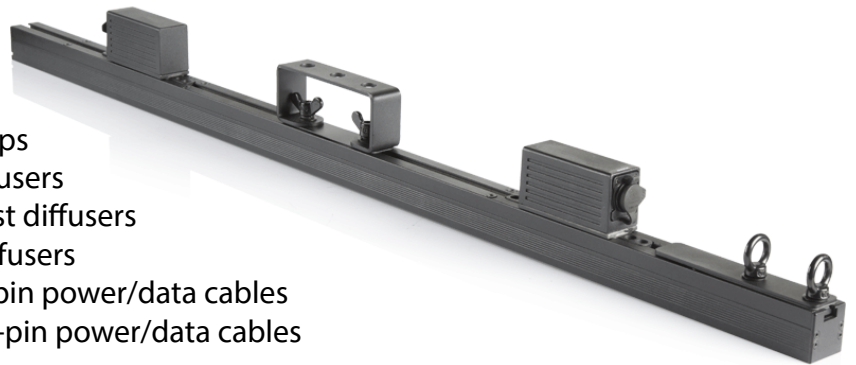
1 x DREAMPIX DRIVER 1800 IP

IP65-rated driver and Art-Net interface

- Powers and controls up to 20 Dreampix strips
- Built to withstand weather & professional use
- Truss or rack mountable
- Intuitive OLED menu navigation
- Auto-addressing function
- Art-Net & RDM control

System includes:

- 20 x Dreampix IP strips
- 20 x Black matte diffusers
- 20 x Rectangular frost diffusers
- 20 x Tubular frost diffusers
- 18 x 1-meter IP65 4-pin power/data cables
- 2 x 20-meter IP65 4-pin power/data cables
- 1 x Flightcase



Specifications (Strip)

Lamp Source	100 x SMD RGB LEDs
Pixel Pitch	10mm
Power Consumption	44W/48V DC
Ingress Protection Rating	IP65
Power/Data Connection	4-pin IP65 XLR In/Out
Art-Net Channels	15 / 17 / 30 / 60 / 300
Control Protocol	Art-Net
Cooling	Passive (fanless)
Dimensions	1000 (L) x 34 (W) x 100 (H) mm
Weight	2.7 kg

Specifications (Driver)

Control Protocol	Art-Net, RDM
Universes	10 Artnet universes per port (20 total)
Display	OLED function menu with 4 touch buttons
Ingress Protection Rating	IP65
Power Consumption	530W
Power connections	IP65 Powerkon In/Out
Data connections	IP65 Etherkon (Art-Net) / 4-pin XLR (strips)
Cooling	Active (variable speed fan)
Dimensions	2U / 268 (L) x 263 (W) x 84 (H) mm
Weight	5.4 kg



SYDNEY
+61 2 9748 1122

MELBOURNE
+61 3 9681 7511

BRISBANE
+61 7 3267 3177

PERTH
+61 8 9248 8119

AUCKLAND
+64 9 869 3293

www.showtech.com.au